

PRODUCT & COMPANY INFORMATION



SUPPLIERS OF PEDESTRIAN OPERATED SELF-ERECTING TOWER & CITY CRANES



Ladybird House | Brockhill Yard
Hewell Lane | Redditch | B97 6QT
t 01527 889 889
e info@ladybirdcranehire.co.uk
w www.ladybirdcranehire.co.uk



Reasons to Choose

Ladybird Crane Hire is the UK's leading hirer of Pedestrian Operated Tower Cranes

A few of the reasons for choosing Ladybird Crane Hire:

Quality Products

- LBCH run a fleet of European manufactured Potain Tower Cranes
- Potain is committed to providing the most innovative, advanced and comprehensive range of tower cranes with products that have long set the standard for excellence worldwide

Widest Range

- Choose from the widest range of pedestrian cranes on offer in the UK
- Jib options from 14m to 52m reach and lifting capacities up to 5,000kgs

Reliability & Service

- Extremely reliable cranes due to the young age profile of the fleet
- Excellent service and repair system; all of our engineers have been factory trained by the manufacturer
- New purpose built facility in the centre of the UK

Leaders in Health and Safety

- All machines meet UK standards with 90% and 100% load indicators on the radio remotes and full digital read-outs of key information
- CPCS qualified instructors and testers

Established Customer Base

- Accredited by Achilles Building Confidence and Constructionline allowing us to work for the UK's leading building contractors
- Nationwide coverage - serving sites from Newquay in Cornwall to Aberdeen in Scotland

Want to Buy?

- We are the UK distributors for Potain Self-Erecting Tower Cranes and we can advise and support you every step of the way to owning and maintaining your own tower crane





What we do

HIRE OF SELF-ERECTING TOWER CRANES

- Hire of pedestrian operated, radio remote controlled, self-erecting tower cranes
- Jib lengths from 14m to 40m available with ability to fold jibs back to reduce oversailing and increase lifting capacity



HIRE OF CITY CLASS TOWER CRANES

- Hire of pedestrian operated, radio remote controlled, top-slewing tower cranes
- Jib lengths from 20m to 52m available. Mast sizes of 1.0m² or 1.2m² allowing the cranes to be sited inside lift shafts



CPCS ACCREDITED TRAINING & TEST CENTRE

- Specialists in training and testing for all aspects of lifting operations
- Choice of In-House or CPCS qualifications. NVQ's also available
- Training available on site or at our accredited CPCS Training Centre



HIRE AND SALES OF LIFTING GEAR

- Hire of a full range of high quality, fully certified lifting accessories
- Sale of new and used lifting gear

GENERATOR HIRE

- Hire of appropriately sized generator to power your crane
- All generators meet UK emissions standards
- All generators and tanks are bundled





Pedestrian Operated Cranes

Reasons to Use

Efficiency and Productivity

- Pedestrian operated. A full time cab based driver is not required
- Driver slings and banks load, reducing total personnel involved in a lift

Safety

- Quiet in operation
- Reduces manual handling
- Reduces vehicle movements
- Machines meet UK standards with 90% & 100% warnings

Self-Erecting (Bottom-Slewing)



- Rapid & economical to install
- Can be folded back to reduce oversailing issues
- Jib lengths from 14m - 40m
- 3 phase and single phase options
- Various transport options - see page 22

City Crane (Top-Slewing)



- 1.2m² footprint and mast, compact enough to fit inside a lift shaft
- Height under hook option from 20m to 40m
- Jib lengths from 20m to 52m
- Cabs can be fitted if required
- Increased lifting capacities up to 5,000kg



Fleet Specifications

Summary of fleet specifications - see individual specifications for detailed information. (Pages 6-21)

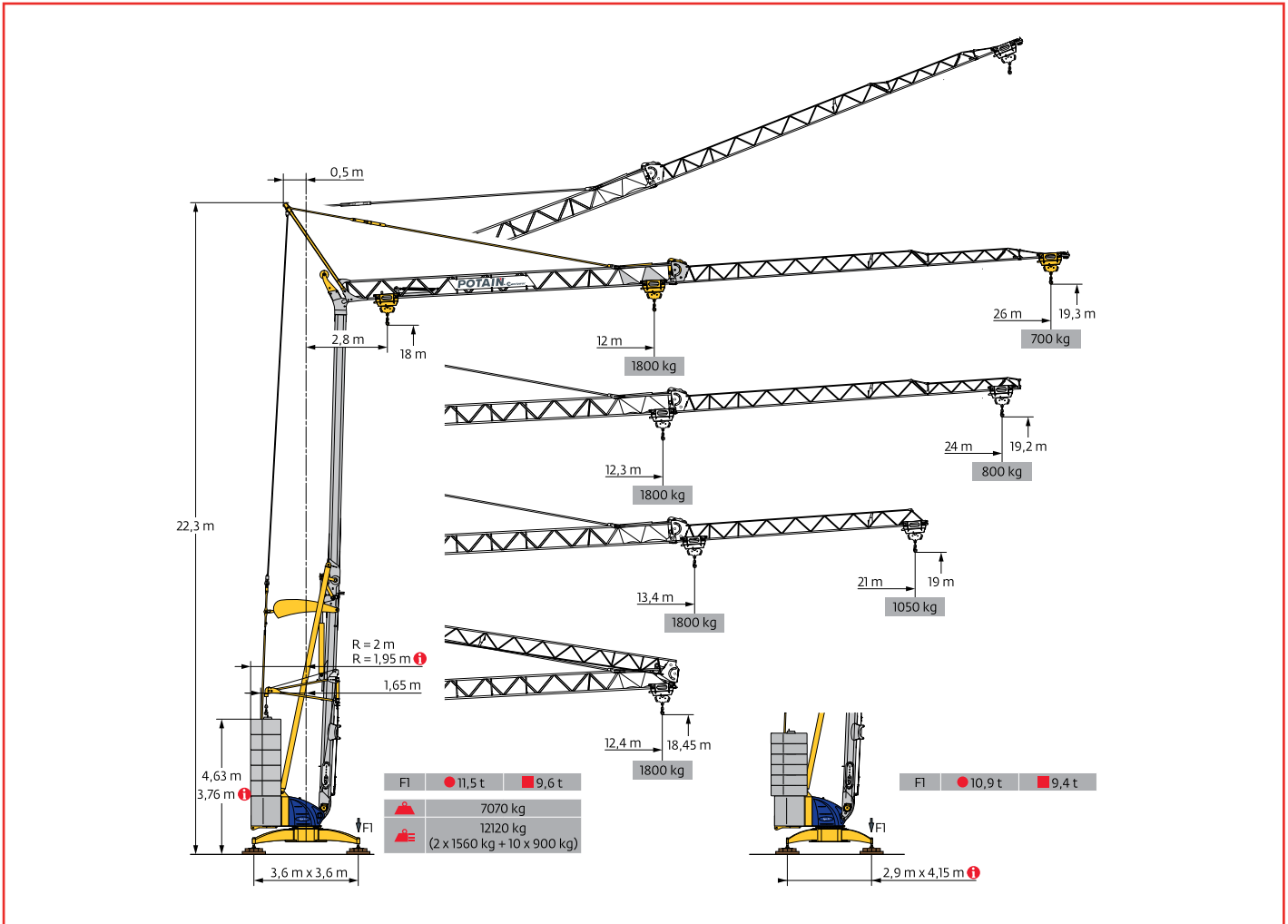
Self-Erecting Cranes

Max Jib Length	↓	👤	⚙️	Key Weights
26m - IGO21	19.3m	1,800	S/3	<div style="display: flex; justify-content: space-between;"> 12m 26m </div> <div style="display: flex; justify-content: space-between;"> 1800kg 700kg </div>
32m - IGO36	22.0m	4,000	3	<div style="display: flex; justify-content: space-between;"> 10m 32m </div> <div style="display: flex; justify-content: space-between;"> 4000kg 1100kg </div>
32m - HUP32-27	21.3 - 27.0m	4,000	3	<div style="display: flex; justify-content: space-between;"> 10.7m 32m </div> <div style="display: flex; justify-content: space-between;"> 4000kg 1000kg </div>
36m - IGO42	23.0m	4,000	3	<div style="display: flex; justify-content: space-between;"> 10m 36m </div> <div style="display: flex; justify-content: space-between;"> 4000kg 1000kg </div>
40m - IGO50	23.2m	4,000	3	<div style="display: flex; justify-content: space-between;"> 12m 40m </div> <div style="display: flex; justify-content: space-between;"> 4000kg 1000kg </div>
40m - HUP40-30	25.6 - 30.0m	4,000	3	<div style="display: flex; justify-content: space-between;"> 12m 40m </div> <div style="display: flex; justify-content: space-between;"> 4000kg 1000kg </div>

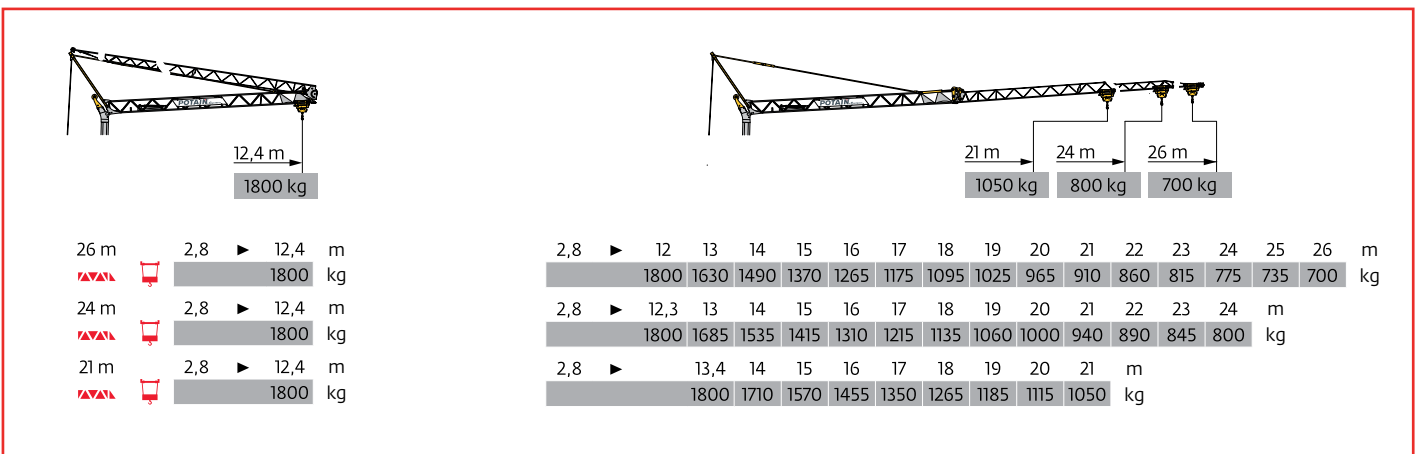
City Cranes

Max Jib Length	↓	👤	⚙️	Key Weights
46m - MCT68	20-40m	3,000	3	<div style="display: flex; justify-content: space-between;"> 20m 46m </div> <div style="display: flex; justify-content: space-between;"> 3000kg 1000kg </div>
52m - MCT88	20-40m	5,000	3	<div style="display: flex; justify-content: space-between;"> 14m 52m </div> <div style="display: flex; justify-content: space-between;"> 5000kg 1100kg </div>

26m Self-Erecting Crane

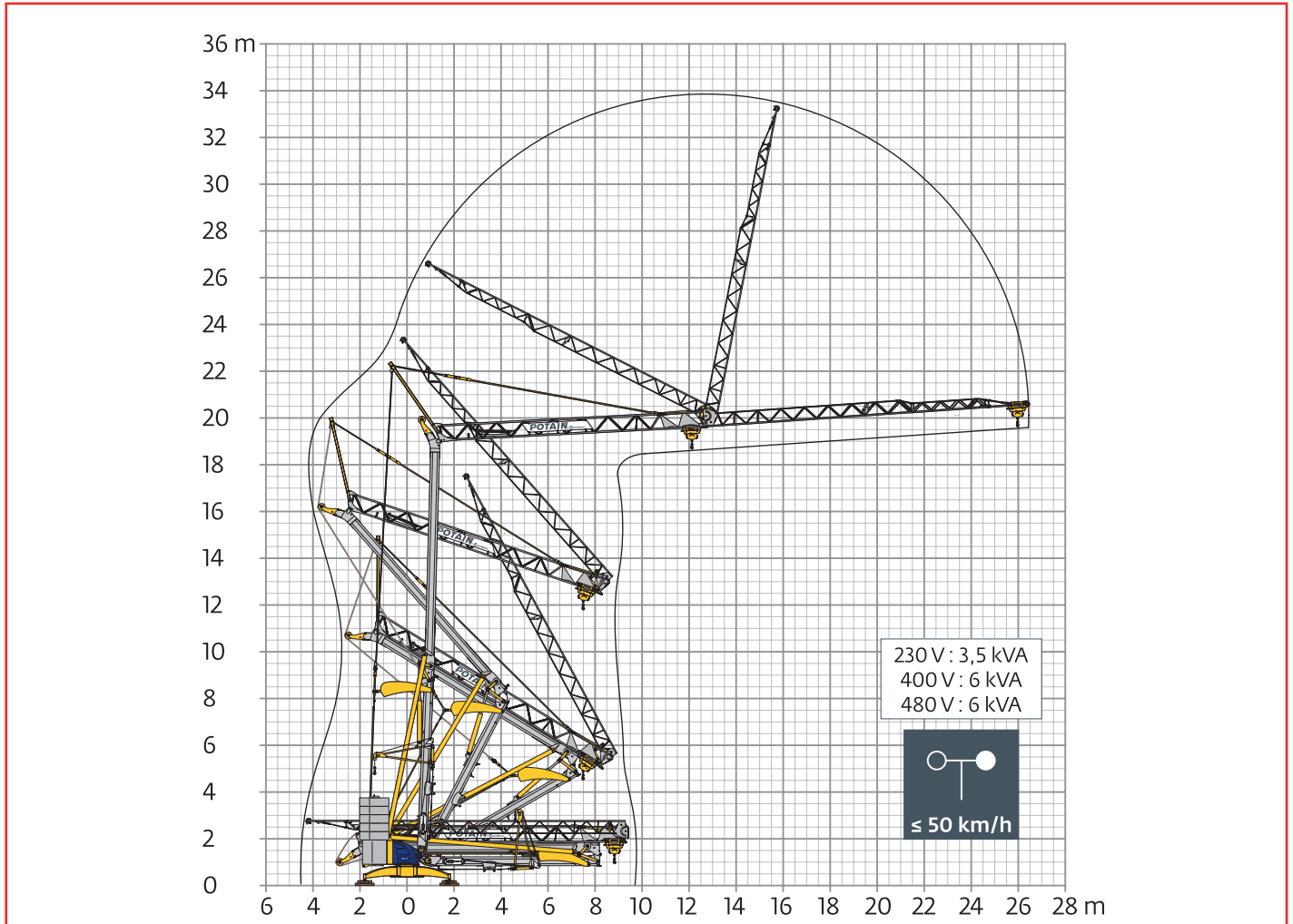


Load Diagrams



Specifications and data not binding. Subject to modification without notice

Erection

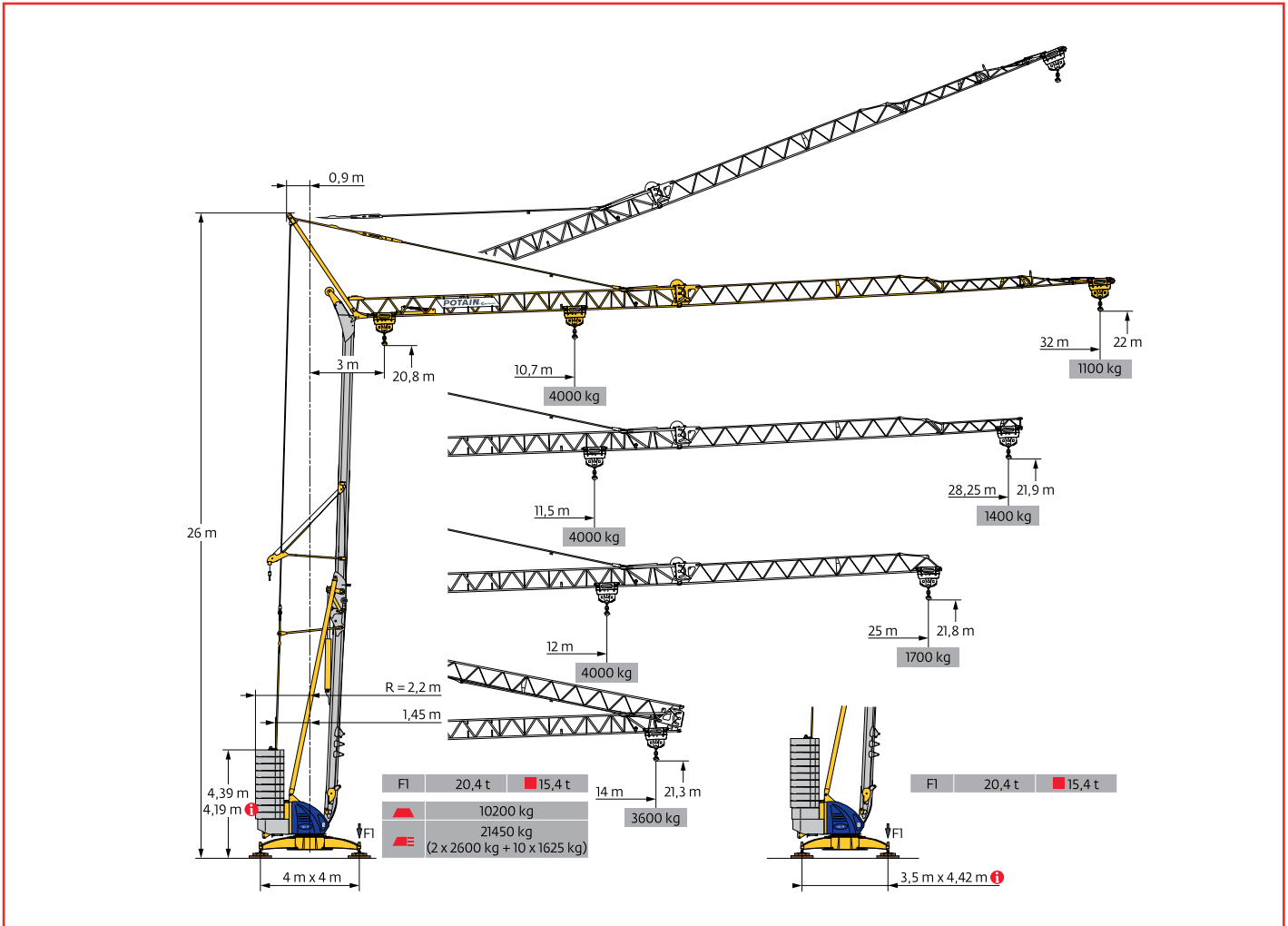


Mechanisms

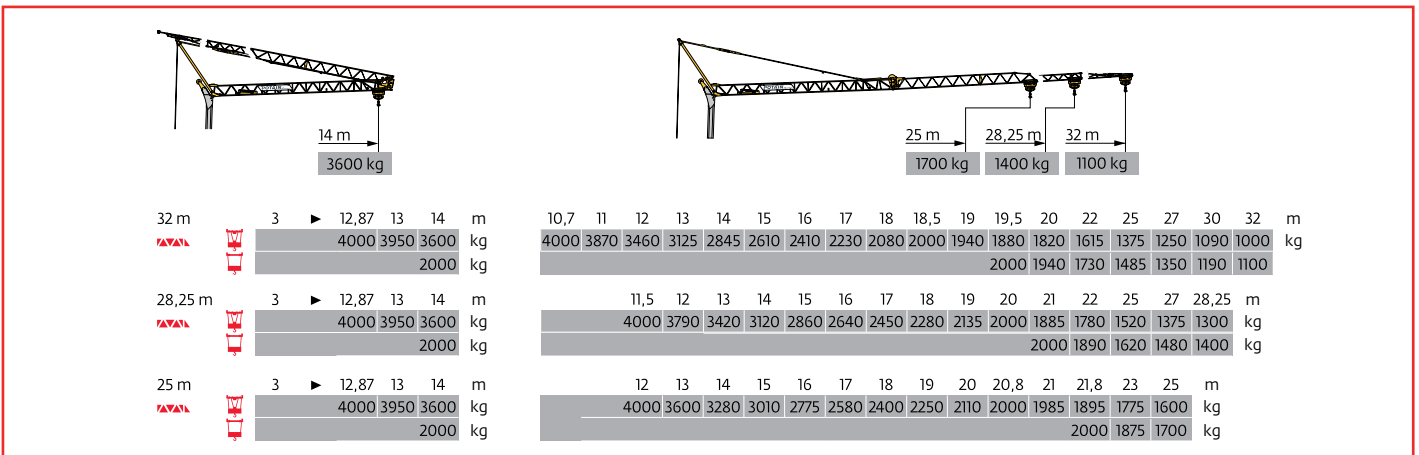
		230 V - 50 Hz 400 V - 50 Hz 480 V - 60 Hz					ch - PS hp	kw
↑	8 LVF 9 Optima	230 V ↗	m/min	↓ 3,5	↑ 7 ↓ 16	↑ 18 ↓ 36	3,3	2,4
		20 A 1	kg	1800	1800	700		
		230 V ↘	m/min	↓ 3,5	↑ 11 ↓ 16	↑ 25 ↓ 36	5,2	3,8
		32 A 2	kg	1800	1800	700		
400 V ↘	m/min	↓ 3,5	↓ 16	↓ 36	7,5	5,5		
480 V 3	kg	1800	1800	700				
↔	1 DVF 4		m/min	14 → 36 (0 → 700 kg) 14 → 28 (700 → 1800 kg)			1,5	1,1
⊙	RVF 20		tr/min U/min rpm	0 → 1			1,5	1,1
		IEC 60204-32						
		230 V (+10% -10%) 50 Hz 400 V (+10% -10%) 50 Hz 480 V (+6% -10%) 60 Hz		kVA			230 V 20 A : 4,6 kVA 230 V 32 A : 7,4 kVA 400 V / 480 V : 11 kVA	

Specifications and data not binding. Subject to modification without notice

32m Self-Erecting Crane

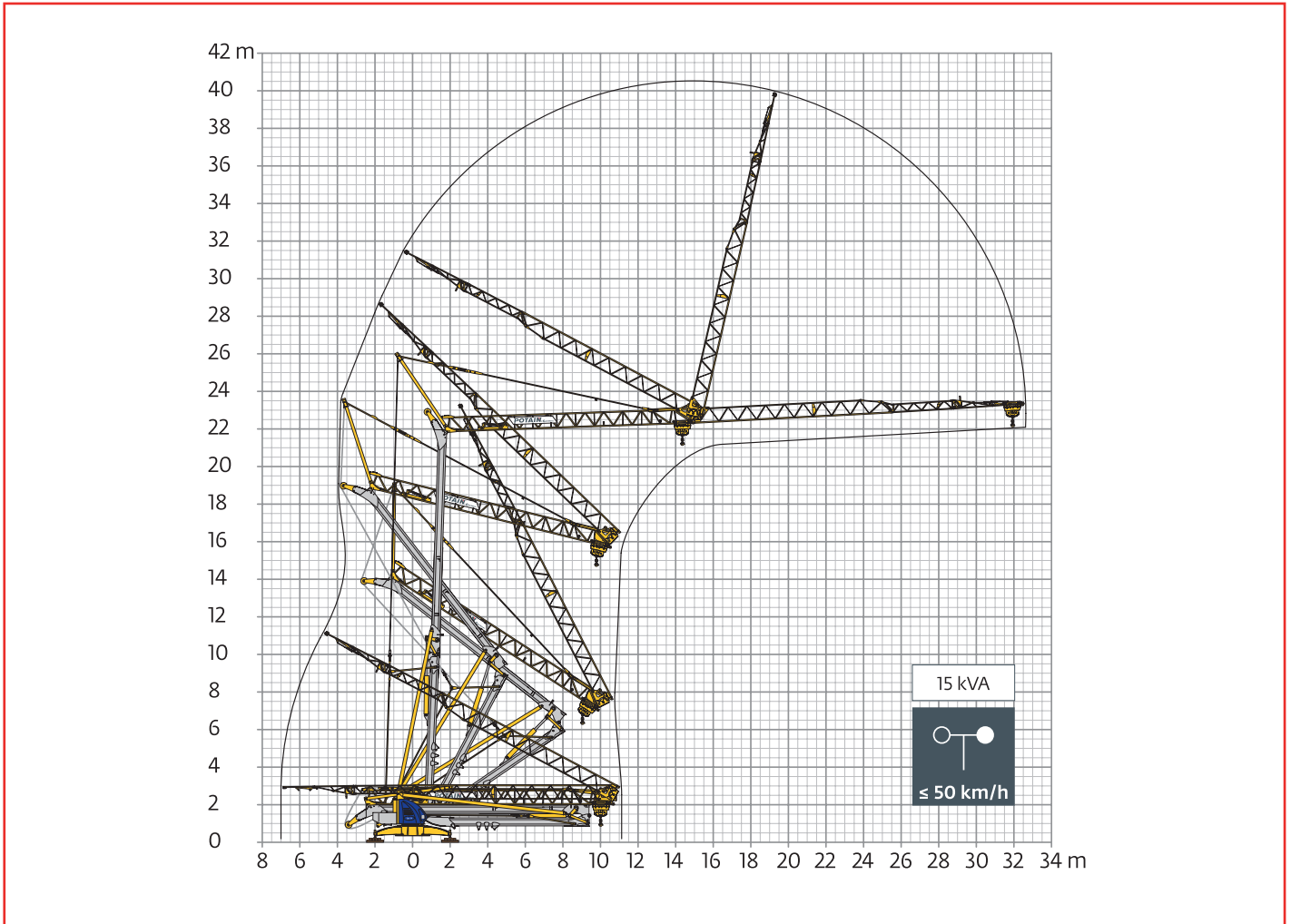


Load Diagrams



Specifications and data not binding. Subject to modification without notice

Erection



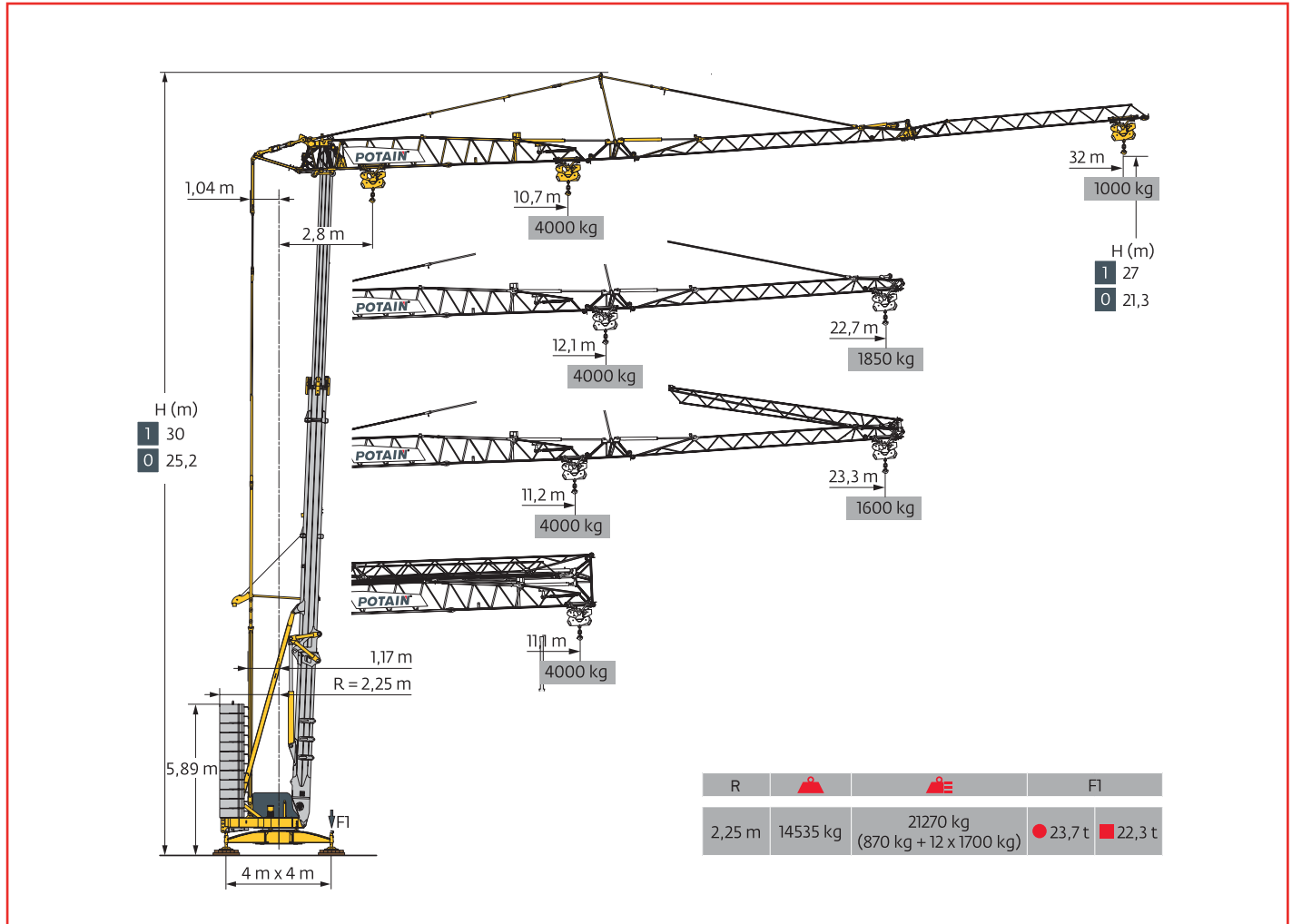
Mechanisms

400 V - 50 Hz 480 V - 60 Hz		b↑					u↑					ch - PS hp	kW		
▲	15 LVF 10 Optima	m/min	3,6	18	30	54	66	1,8	9	15	27	33	15	11	
		kg	2000	2000	2000	1000	500	4000	4000	4000	2000	1000			
◀▶	3 DVF 5	m/min	15 - 30 - 41										3	2,2	
⊙	RVF 41 Optima+	tr/min U/min rpm	0 → 0,8										4	3	
IEC 60204-32							kVA								
400 V (+10% -10%) 50 Hz 480 V (+6% -10%) 60 Hz							18 kVA								

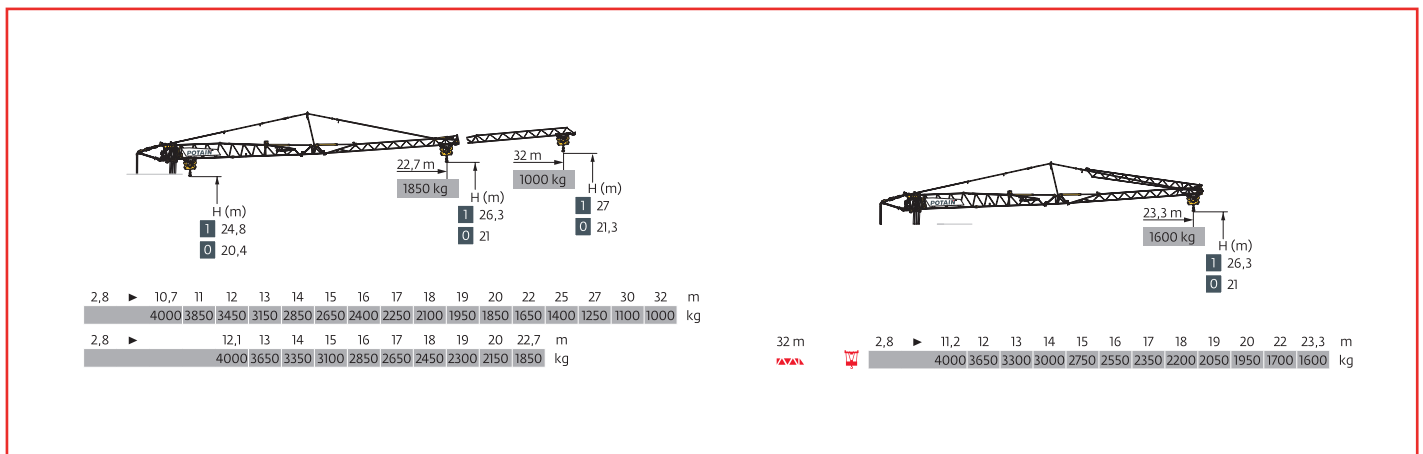
Specifications and data not binding. Subject to modification without notice

HUP32-27

32m Self-Erecting Crane

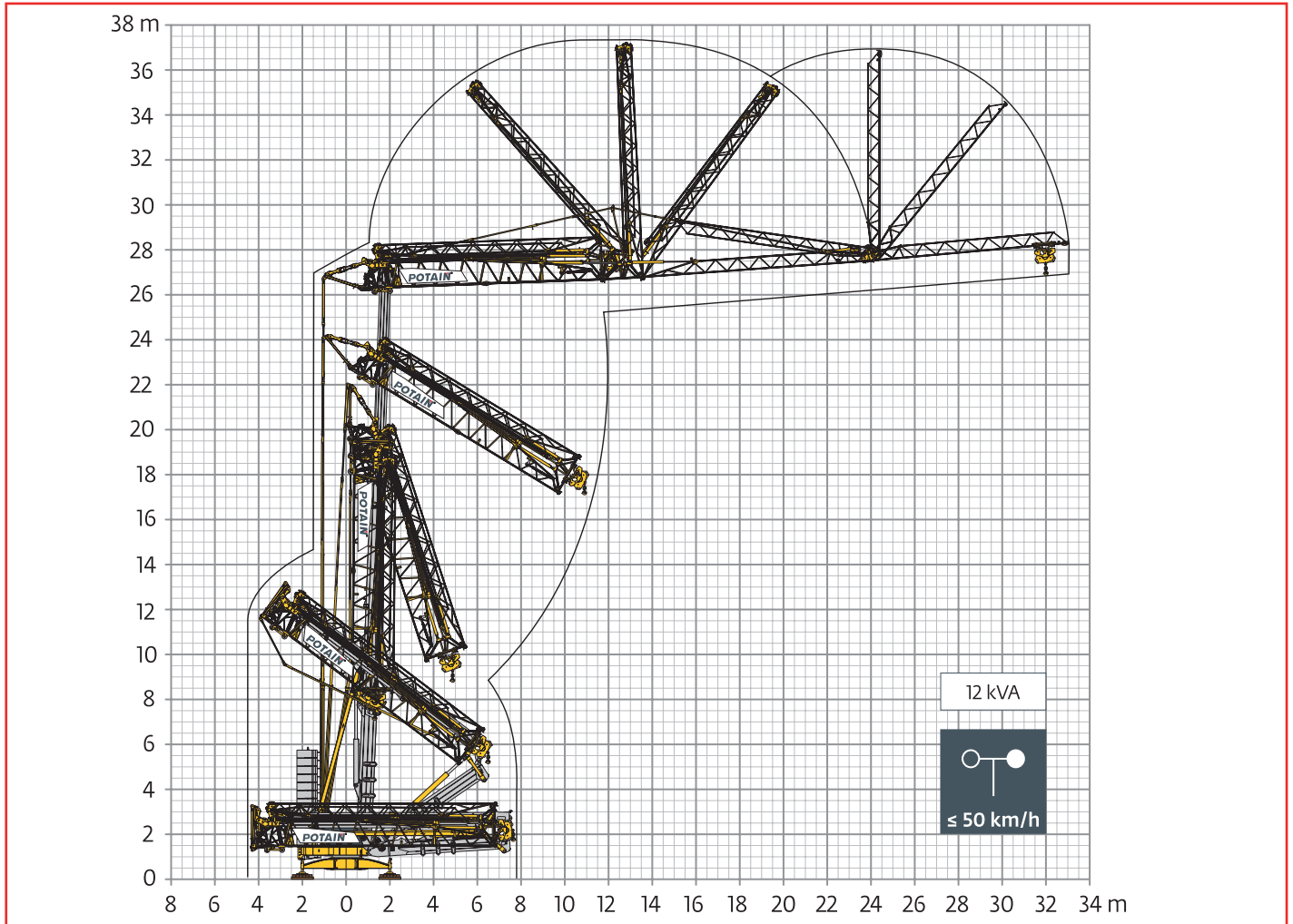


Load Diagrams



Specifications and data not binding. Subject to modification without notice

Erection

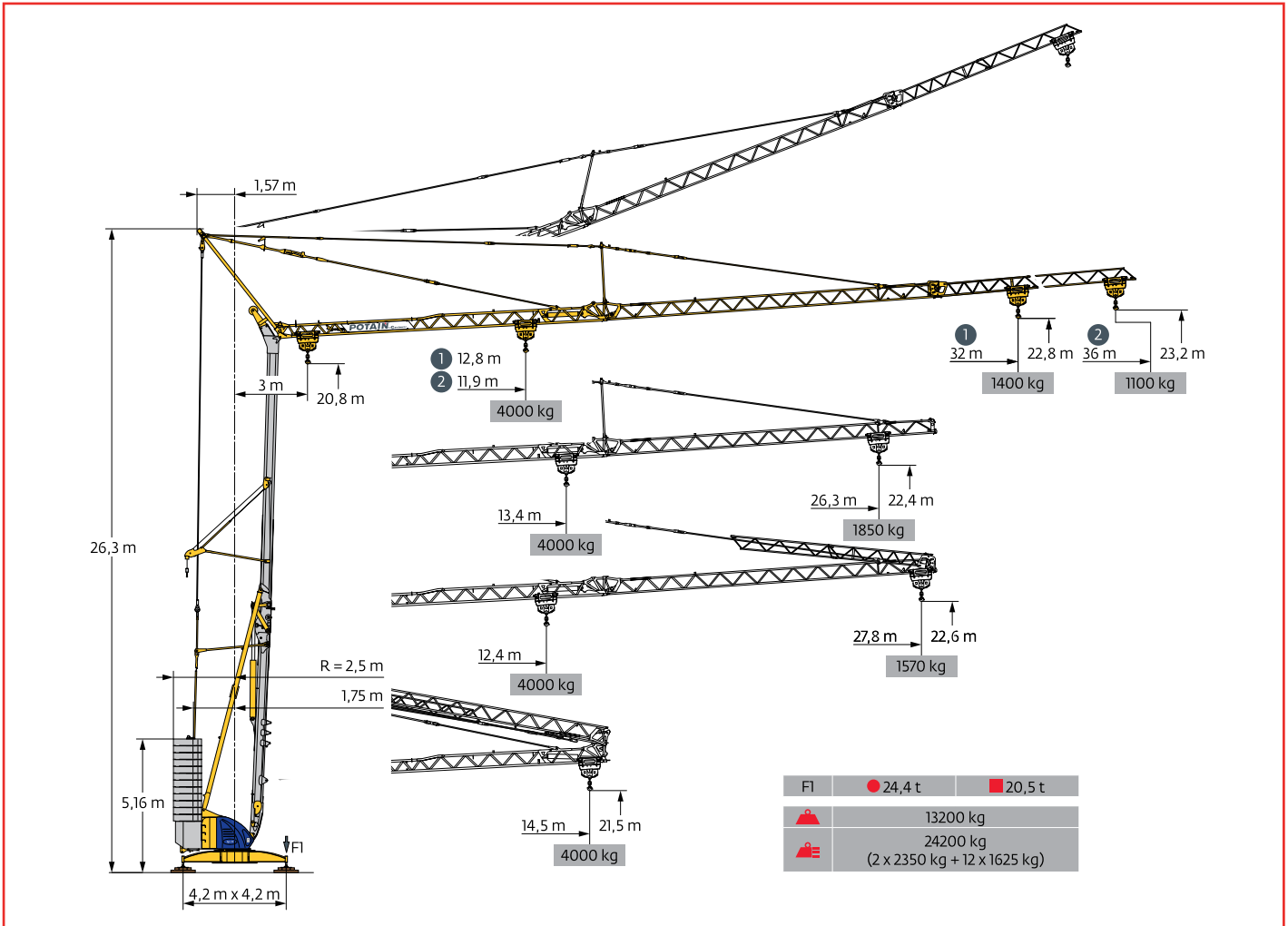


Mechanisms

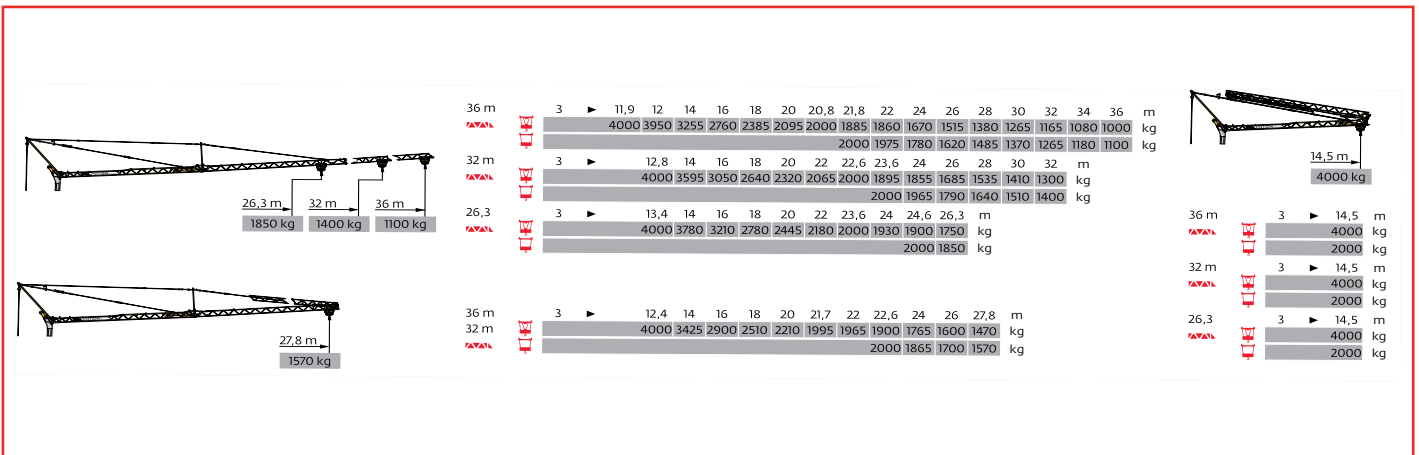
400 V - 50 Hz 480 V - 60 Hz								ch - PS hp	kW	
	18 HPL 10	m/min	1,7	19	36	58	65	18	13	
		kg	4000	4000	2000	1000	500			
	3 DVF 5	m/min	1 → 45 (0 → 1000 kg) 1 → 41 (1000 → 4000 kg)					3	2,2	
	HPS 141	tr/min U/min rpm	0 → 0,9					5	3,7	
IEC 60204-32										
400 V (+10% -10%) 50 Hz 480 V (+6% -10%) 60 Hz		19 → 13 kVA								

Specifications and data not binding. Subject to modification without notice

36m Self-Erecting Crane

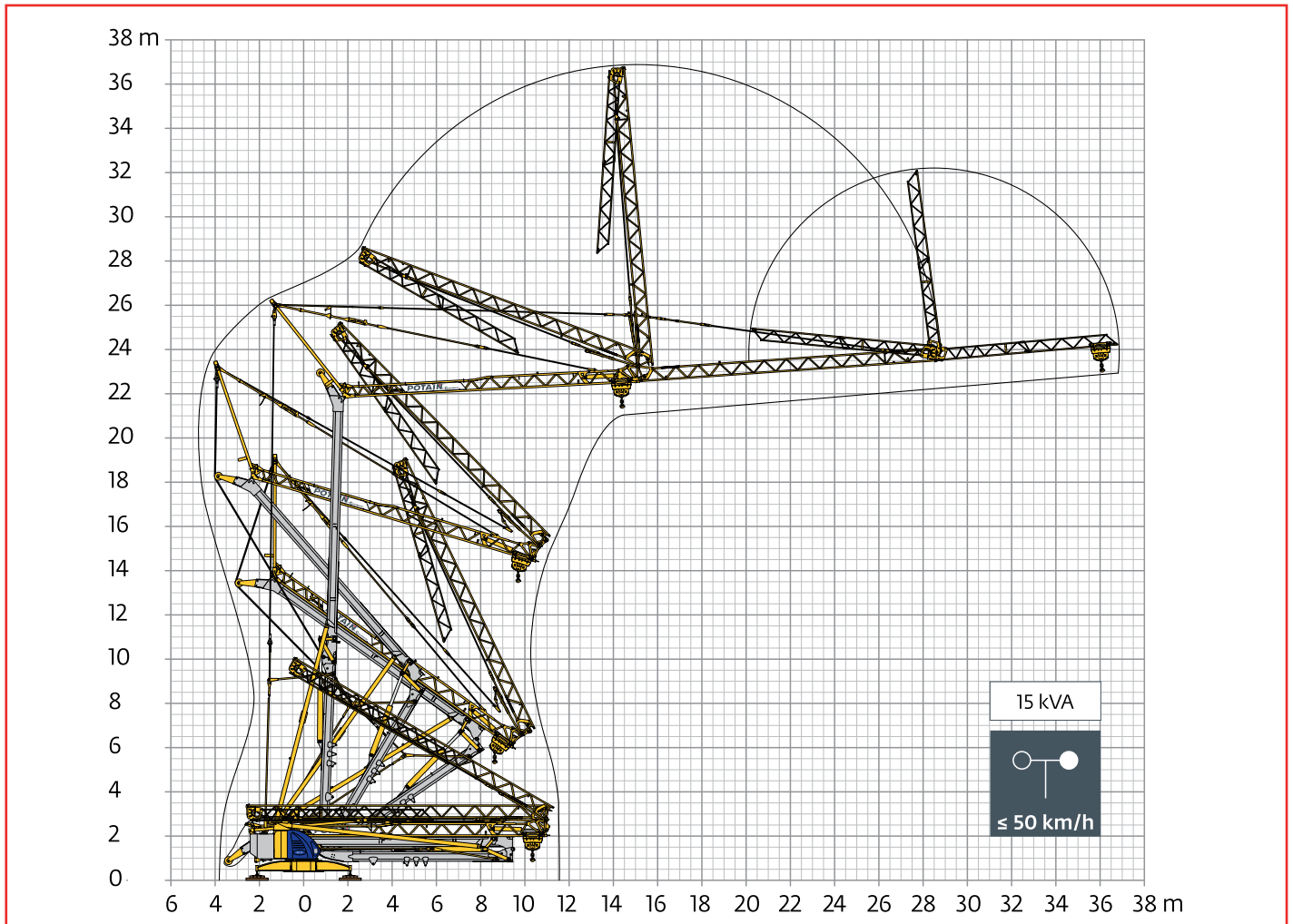


Load Diagrams



Specifications and data not binding. Subject to modification without notice

Erection

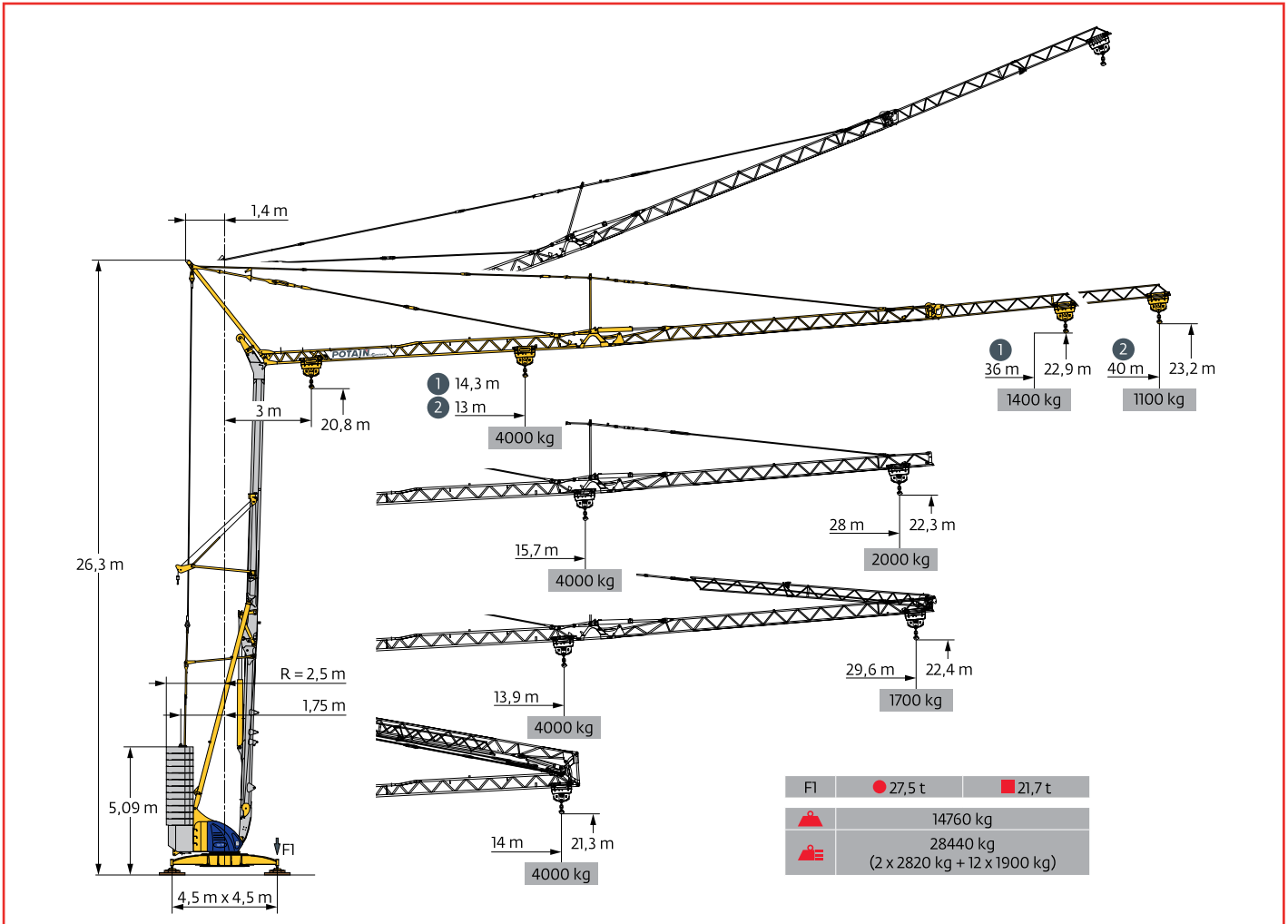


Mechanisms

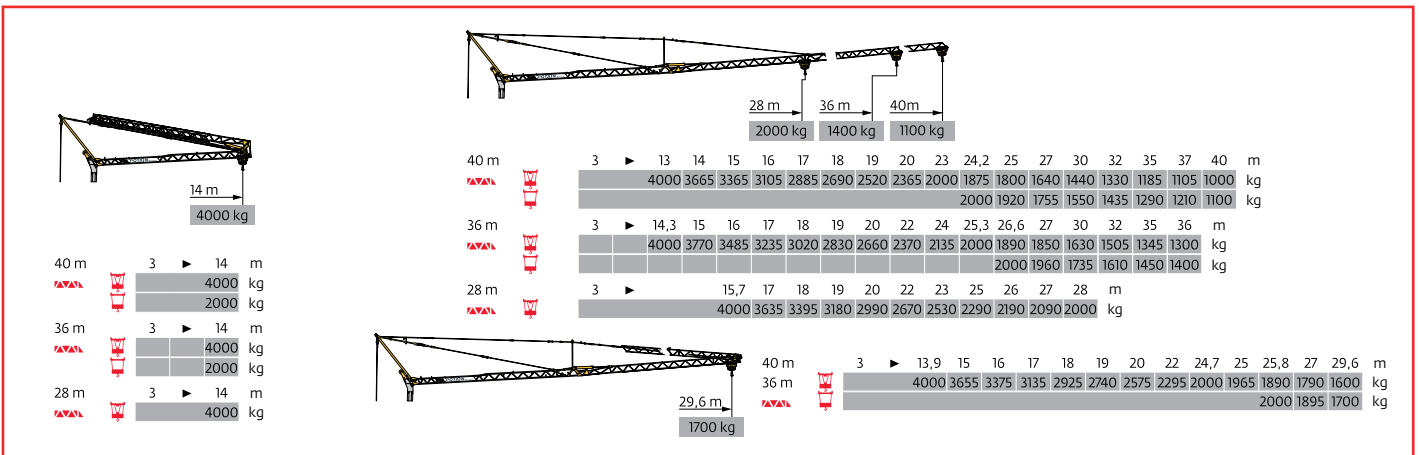
400 V - 50 Hz 480 V - 60 Hz			LJ↑					UU↑					ch - PS hp	kW	
▲	15 LVF 10 Optima	m/min	3,6	18	30	54	66	1,8	9	15	27	33	15	11	
		kg	2000	2000	2000	1000	500	4000	4000	4000	2000	1000			
◀▶	3 DVF 5	m/min	15 - 30 - 45 (0 → 1000 kg) 15 - 30 - 41 (1000 → 4000 kg)										3	2,2	
⊙	RVF 41 Optima+	tr/min U/min rpm	0 → 0,8										2	3	
IEC 60204-32							kVA								
400 V (+10% -10%) 50 Hz 480 V (+6% -10%) 60 Hz							15 kVA								

Specifications and data not binding. Subject to modification without notice

40m Self-Erecting Crane

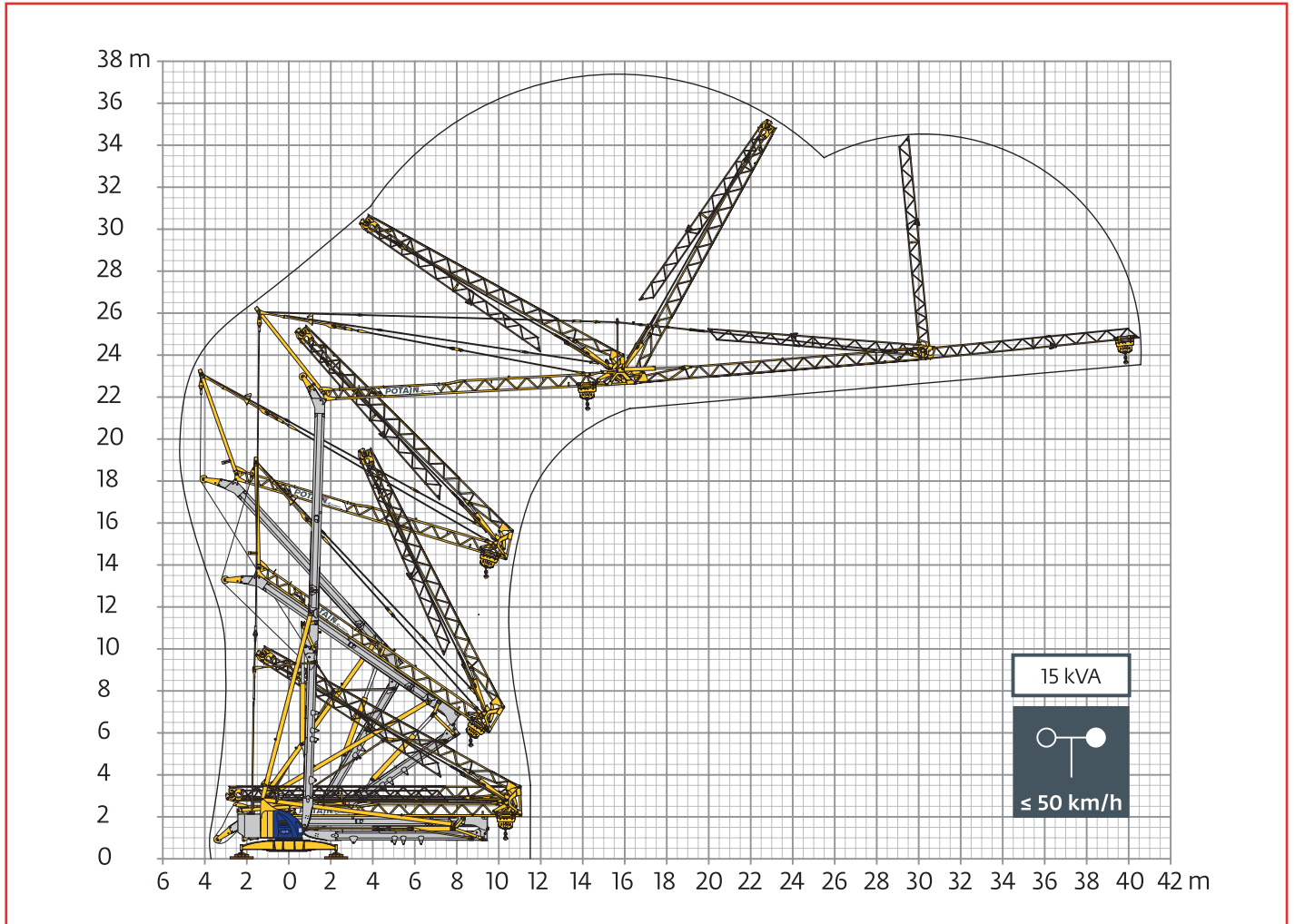


Load Diagrams



Specifications and data not binding. Subject to modification without notice

Erection



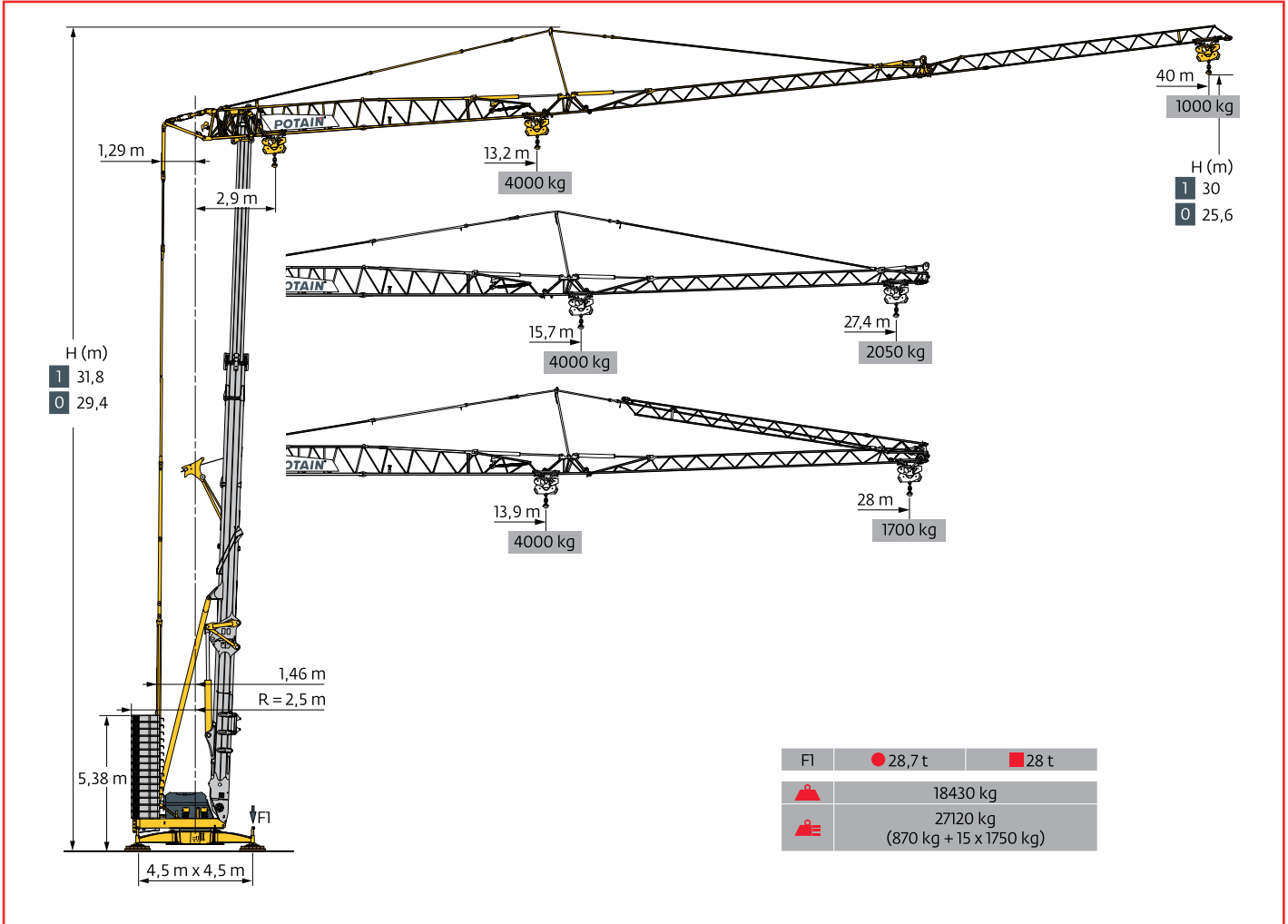
Mechanisms

400 V - 50 Hz 480 V - 60 Hz		L↑					U↑					ch - PS hp	kW	
▲	15 LVF 10 Optima	m/min	3,6	18	30	54	66	1,8	9	15	27	33	15	11
		kg	2000	2000	2000	1000	500	4000	4000	4000	2000	1000		
■	3 DVF 5	m/min	15 - 30 - 45 (0 → 1000 kg) 15 - 30 - 41 (1000 → 4000 kg)									3	2,2	
⊙	RVF 51 Optima+	tr/min U/min rpm	0 → 0,8									5,5	4	
IEC 60204-32						kVA								
400 V (+10% -10%) 50 Hz 480 V (+6% -10%) 60 Hz						18 kVA								

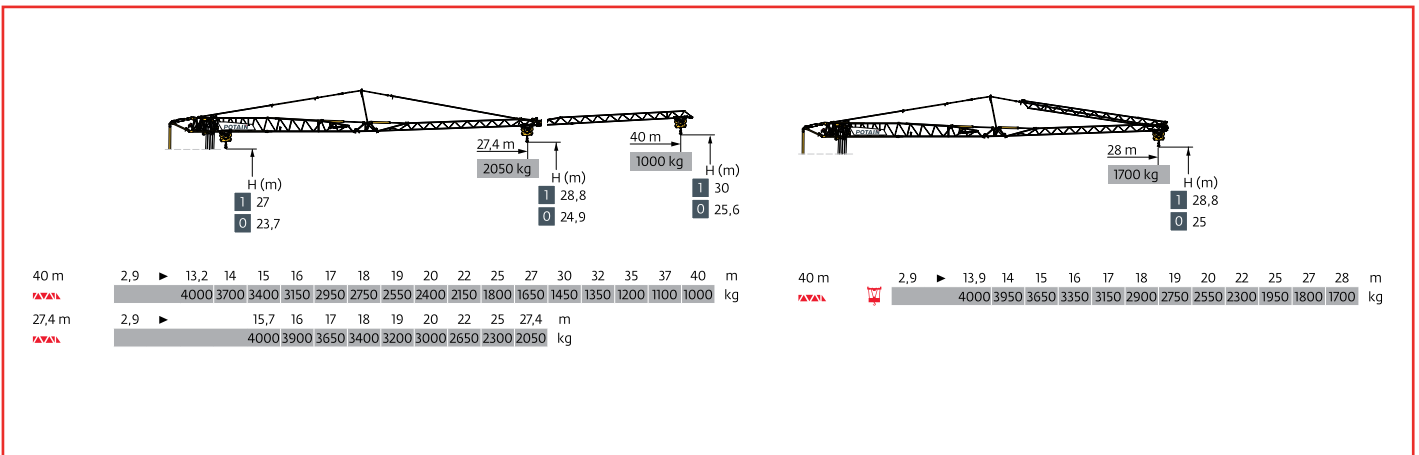
Specifications and data not binding. Subject to modification without notice

HUP40-30

40m Self-Erecting Crane

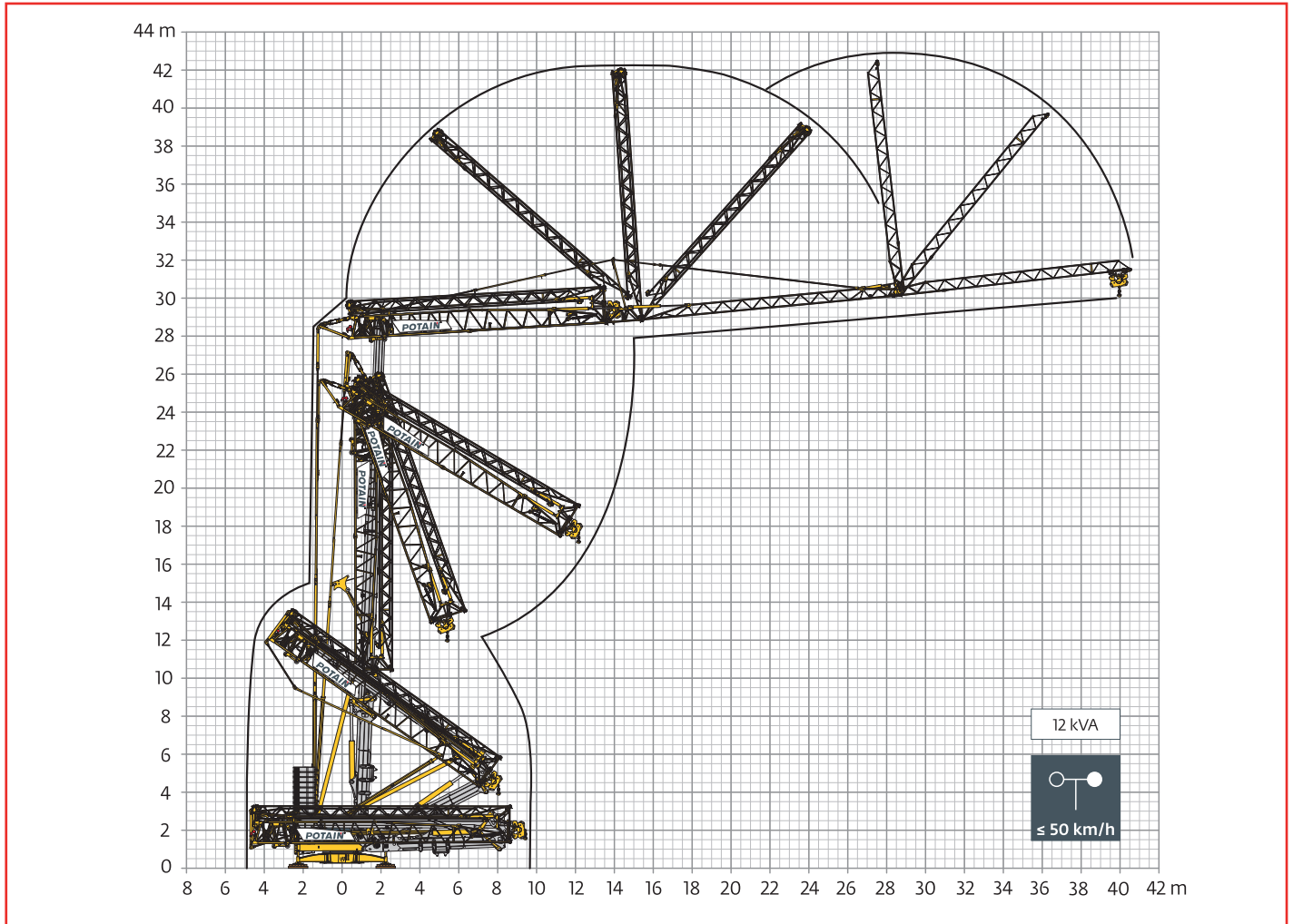


Load Diagrams



Specifications and data not binding. Subject to modification without notice

Erection

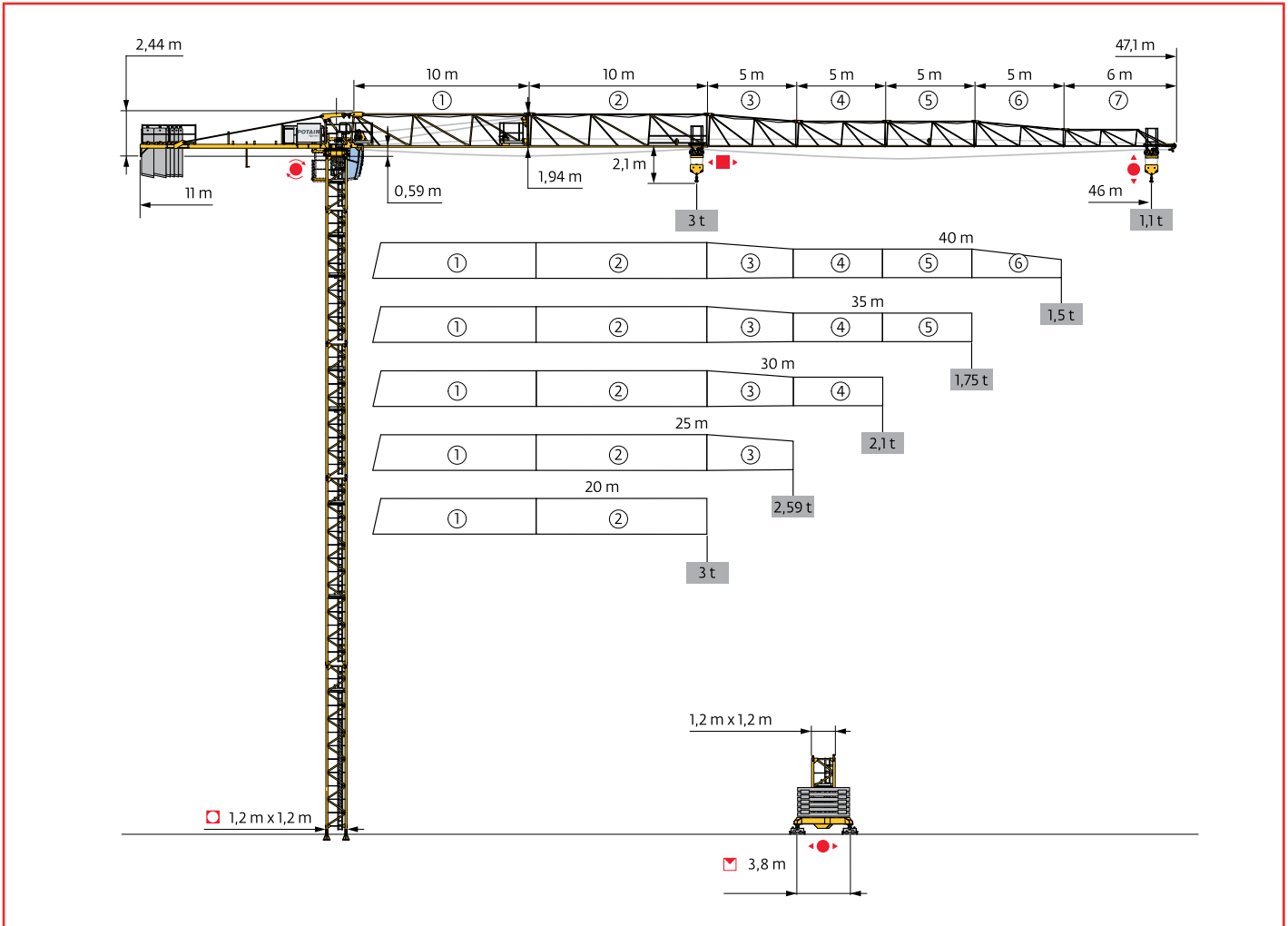


Mechanisms

400 V - 50 Hz 480 V - 60 Hz							ch - PS hp	kW	
⬆	18 HPL 10	m/min	1,7	19	36	58	65	18	13
		kg	4000	4000	2000	1000	500		
⬅	3 DVF 5	m/min	1 → 45 (0 → 1000 kg) 1 → 41 (1000 → 4000 kg)					3	2,2
⦿	HPS 142	tr/min U/min rpm	0 → 0,9					2 x 5	2 x 3,7
IEC 60204-32			kVA						
400 V (+10% -10%) 50 Hz 480 V (+6% -10%) 60 Hz			23 → 17 kVA					⦿	

Specifications and data not binding. Subject to modification without notice

46m City Crane

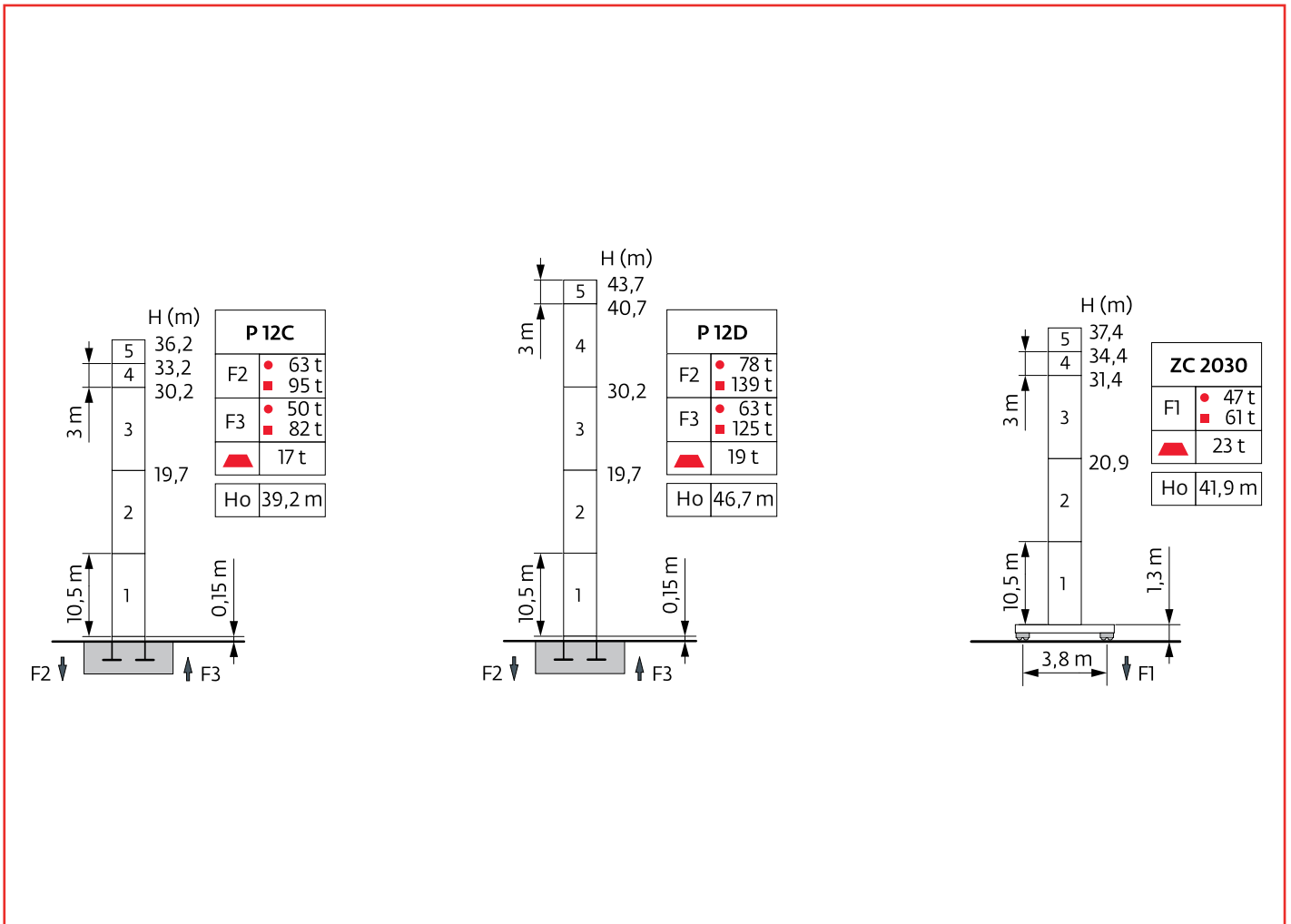


Load Diagrams

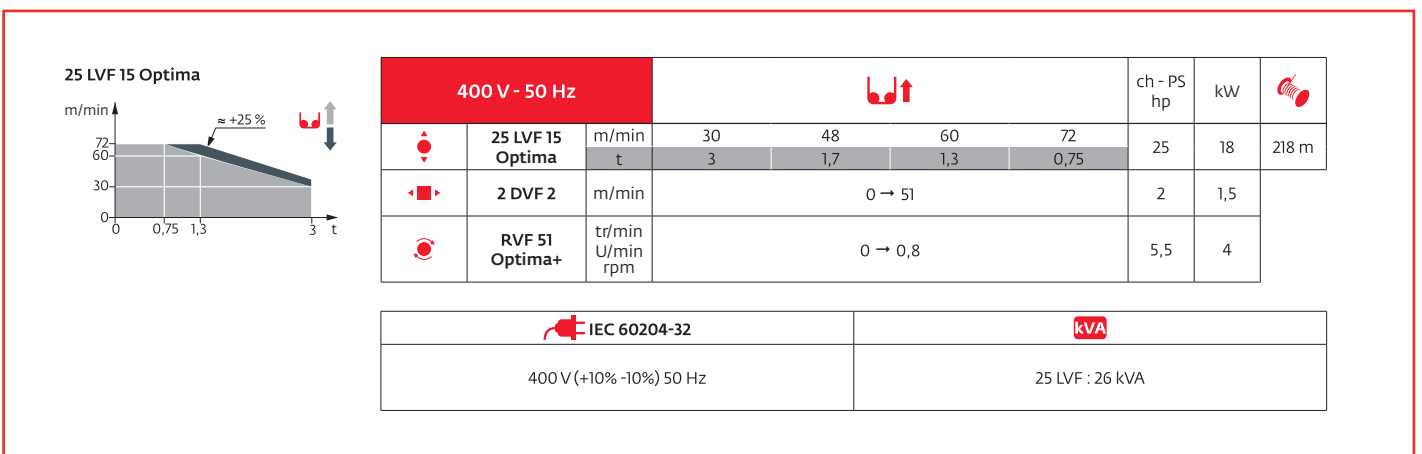
46 m	2,05	▶	19,7	20	22	23,1	25	27	30	32	35	37	40	42	45	46	m	30 m	2,05	▶	22	25	25,8	27	30	m
▲▲▲	3		2,95	2,65	-	2,3	2,1	1,85	1,7	1,55	1,45	1,3	1,25	1,15	1,1	t	▲▲▲	3		2,6	-	2,35	2,1	t		
40 m	2,05	▶		22	25	25,8	27	30	32	35	37	40	m	25 m	2,05	▶	22	25	m							
▲▲▲	3			2,6	-	2,35	2,1	1,95	1,75	1,65	1,5	t	▲▲▲	3		2,59	t									
35 m	2,05	▶		22	25	25,8	27	30	32	35	m	20 m	2,05	▶	20	m										
▲▲▲	3			2,6	-	2,35	2,1	1,95	1,75	t	▲▲▲	3		t												

Specifications and data not binding. Subject to modification without notice

Mast and Base Configurations

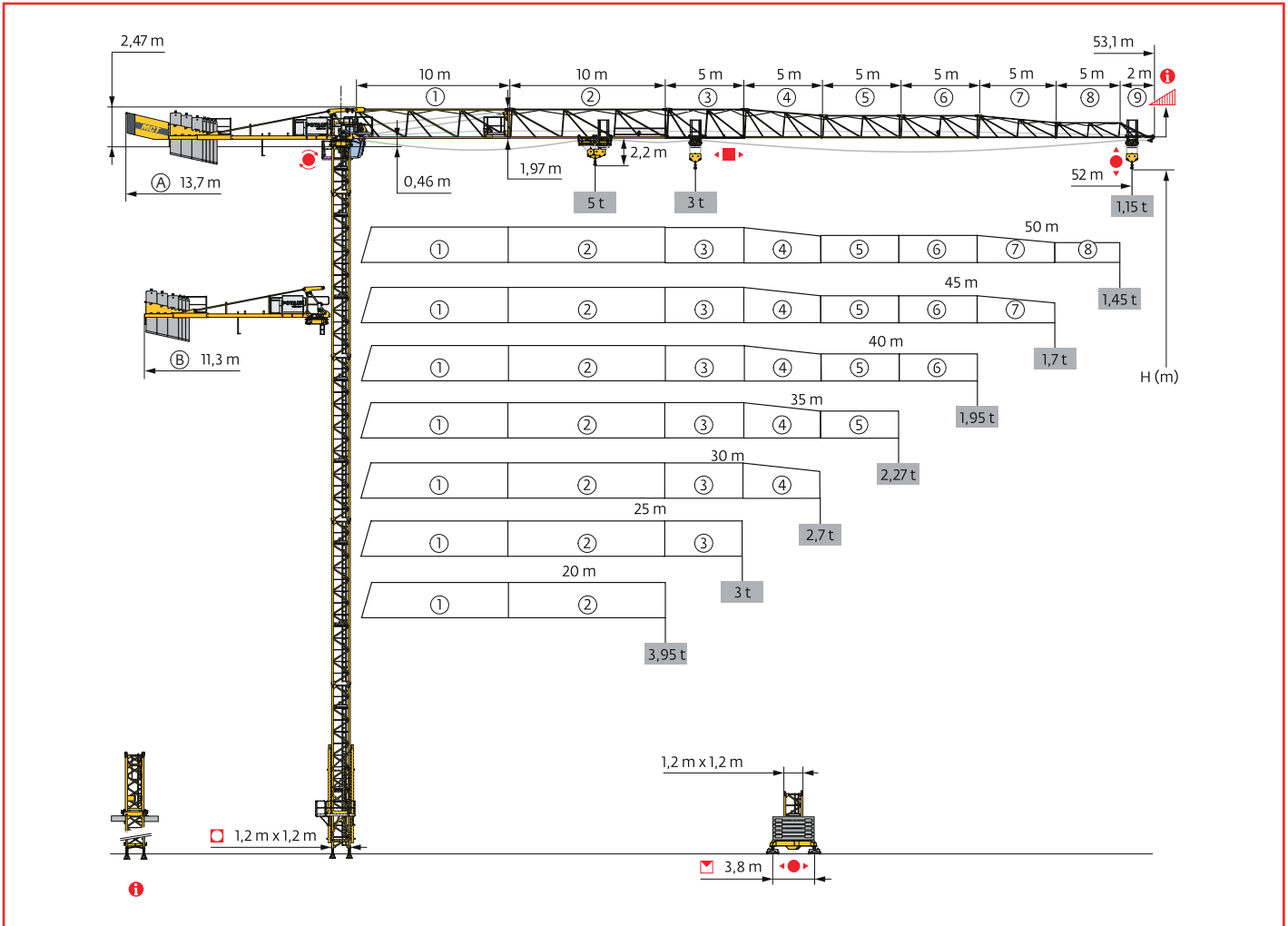


Mechanisms

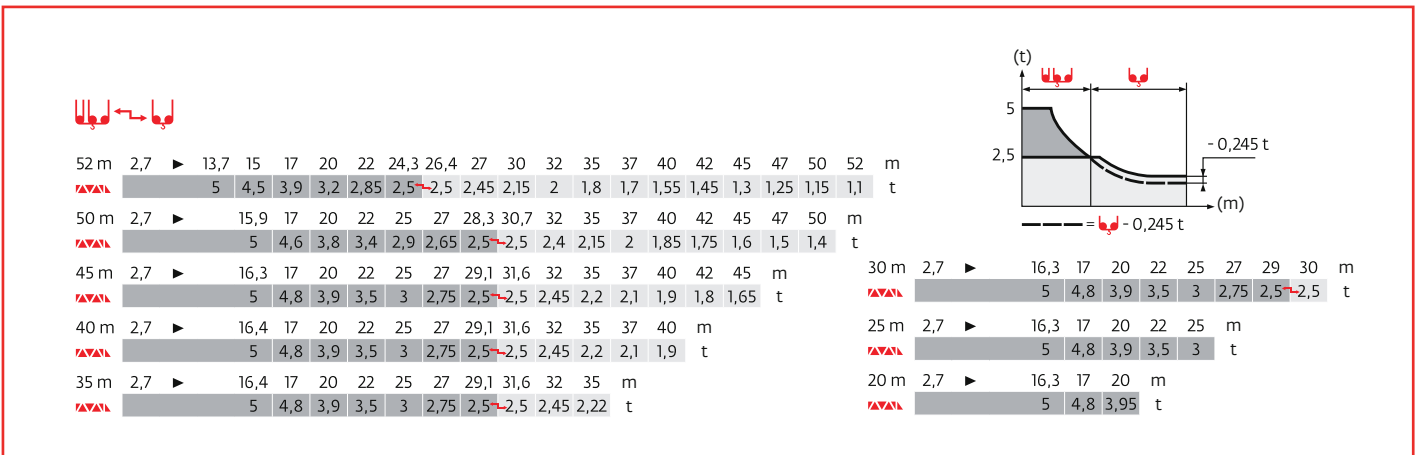


Specifications and data not binding. Subject to modification without notice

52m City Crane

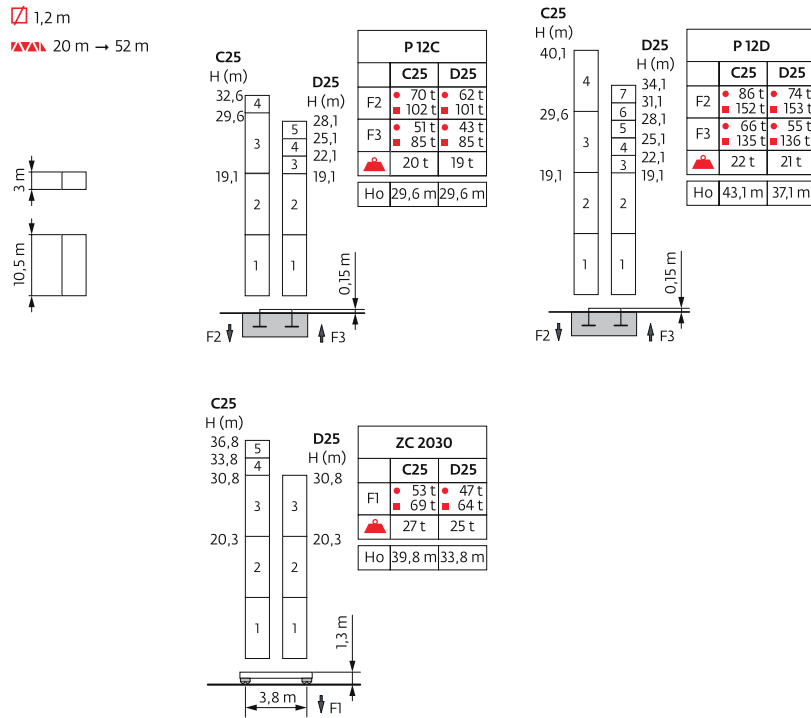


Load Diagrams



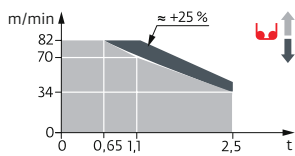
Specifications and data not binding. Subject to modification without notice

Mast and Base Configurations



Mechanisms

25 LVF 13 Optima



		400 V - 50 Hz												ch - PS	kW	
	25 LVF 13 Optima	m/min	34	56	70	82	17	28	35	41	25	18	318 m			
	t	2,5	1,45	1,1	0,65	5	2,9	2,2	1,3							
	25 LVF 15 Optima	m/min	30	48	60	72					25	18	218 m			
	t	3	1,7	1,3	0,75											
	4 DVF 3	m/min	0 → 63				5					5	3,7			
	RVF 151 Optima+	tr/min U/min rpm	0 → 0,8				5,5					4				

	IEC 60204-32		kVA
400 V (+10% -10%) 50 Hz		25 LVF : 28 kVA	

Specifications and data not binding. Subject to modification without notice



SETC Transport Options

Enabling us to reach the parts that others cannot reach

As specialists in the hire of Pedestrian Operated Tower Cranes, we have invested in the latest equipment to:

- Allow us to access tight and otherwise inaccessible areas
- Save you time and money by using the most appropriate method of installation

OPTION 1: THE GAPO



- The GAPO is a motorised, self-propelled, 4-wheel-steering transport system
- It allows us to manoeuvre cranes into previously inaccessible positions in a fast and safe manner
- Delivery is on a low-loader, from where the crane is driven to its location



OPTION 2: FAST TRANSPORT SYSTEM

- The fast transport system consists of a double axle bogie and fifth wheel coupling, attached directly to the crane
- The system allows us to erect the crane directly off the transport, once positioned over the base on site
- This unique system reduces the need for auxiliary mobile cranes



OPTION 3: MOBILE CRANE

- On some sites the install/dismantle process can only be achieved by using a mobile crane
- Our own CPCS qualified Appointed Persons and Crane Supervisors carry out the lifting operations
- Our cranes can be stripped down to their lightest configuration to minimise the size and cost of the lift





Customer Service

Ladybird Crane Hire

prides itself on offering the best service in the industry

NATIONWIDE SERVICE COVER

- Rapid response time from our highly skilled service team
- Large network of approved subcontractors

PRE-DELIVERY MAINTENANCE AND CHECKS

- All equipment is thoroughly cleaned, serviced and inspected prior to delivery
- Independent inspection and testing of all lifting equipment

CPCS & FACTORY-TRAINED TEAM

- Our Engineering team are all factory trained by the manufacturers
- All our staff have the appropriate CPCS training and certificates

SPARE PARTS

- Large stocks of spares and parts at our central UK depot
- Direct access to the manufacturer for spares and technical information



